

| | |
|----------|--------------|
| No. | 15FD-3006 |
| ISSUED: | APR. 2, 2007 |
| REVISED: | JUL. 2, 2014 |



**HOSHIZAKI
CRESCENT CUBER**

MODEL KM-35A

PARTS LIST
(HE, HE/UK)

S-1 MAR. 2007
T-0 JAN. 2008
T-1 MAY 2008
U-0 JAN. 2009
U-1 FEB. 2009
V-0 JAN. 2010
V-1 JUN. 2010

AUXILIARY CODE

U - 1

The auxiliary code is the first two characters in the serial number. The first character indicates the production year. Years progress or regress in alphabetical order. The series of letters and skipped letters depend on UL listing, production, and model. See the auxiliary code(s) and corresponding year(s) on the front cover.

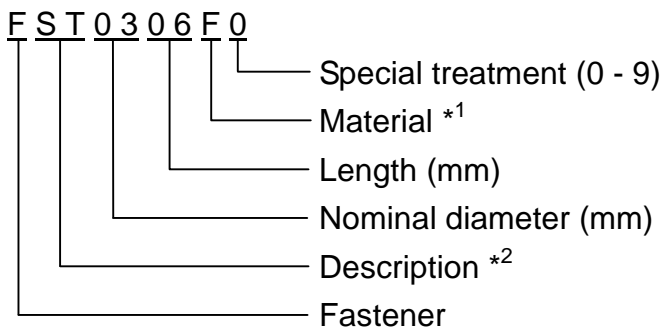
The second character indicates significant part changes within the same year. Base is "1" and this number advances for each change. If there is no significant part change at the turn of the year, this number starts from "0."

MARKS LOCATED UNDER THE AUXILIARY CODE

- = Part deleted.
- x = Part deleted and replaced by "o" part.
- o = New part in place of "x" part.

FASTENER PART NUMBER

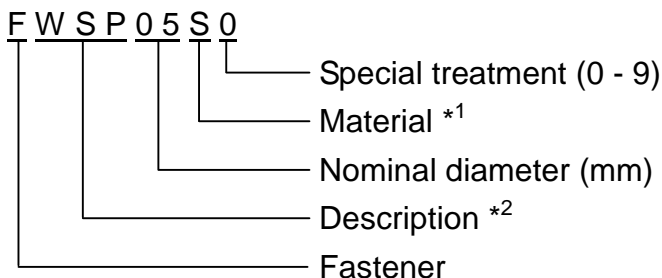
SCREWS



*1 Material

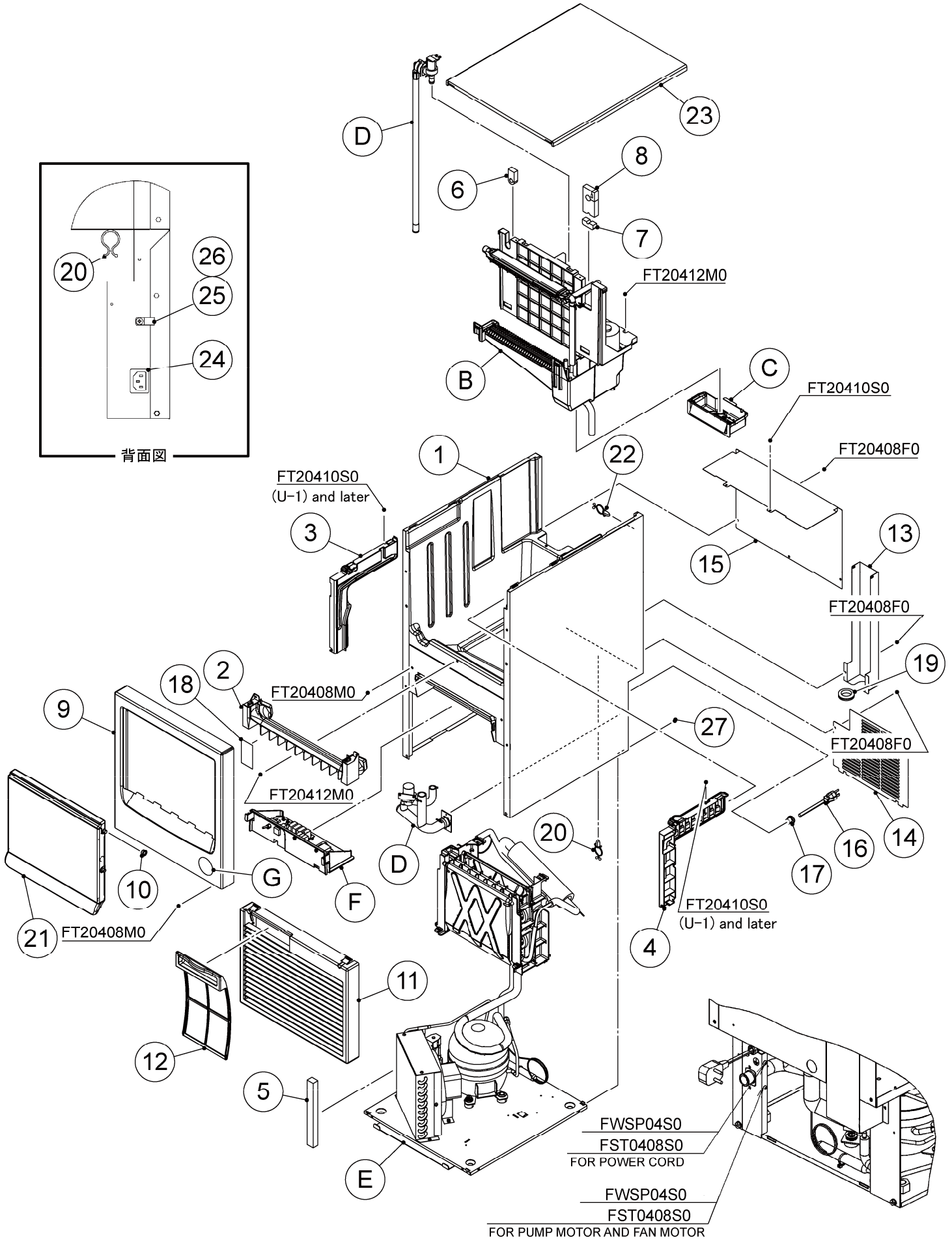
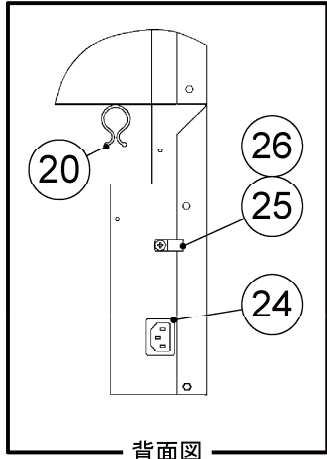
- F: Steel
- S: Austenitic stainless steel
- M: Martensitic stainless steel
- B: Copper alloy
- P: Polycarbonate
- N: Polyamide
- V: PVC
- A: ABS
- X: Polyacetal
- L: Aluminum

NUTS & WASHERS



*2 Description

- First letter
- S: Machine screw
- T: Tapping screw
- M: Wood screw
- B: Bolt
- W: Washer
- N: Nut

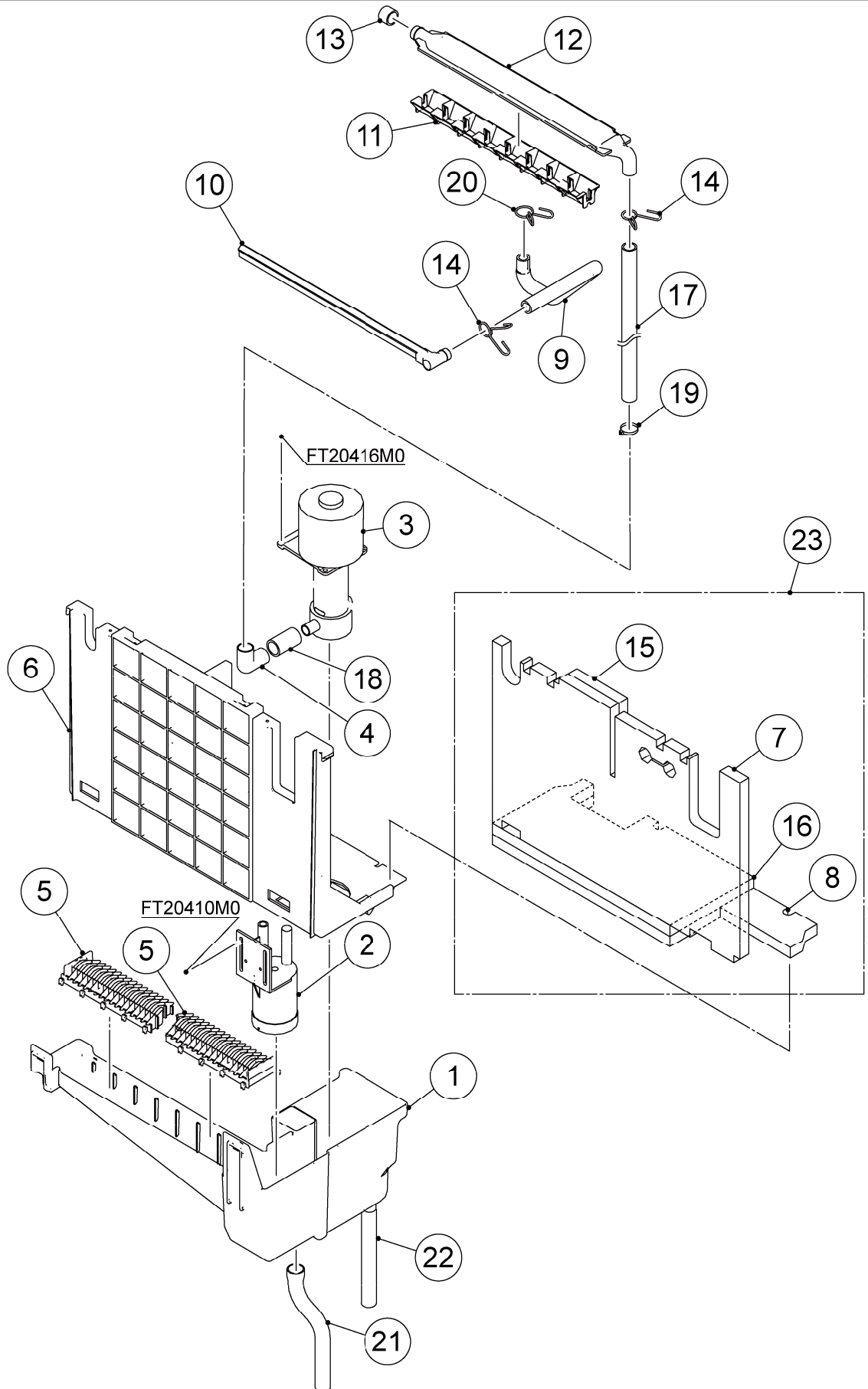


HE, HE/UK

| MODEL: KM-35A | | TITLE: A. ICE CUBER ASSY | | | | | |
|----------------------|---------------------------|---------------------------------|-------------|--------------|---------|---------|-----|
| INDEX NO. | DESCRIPTION | MATERIAL OR MODEL NUMBER | PART NUMBER | REQ'D NUMBER | | | |
| | | | | S-1,T-0 | T-1,U-0 | U-1,V-0 | V-1 |
| B | ICE MAKING MECHANISM ASSY | | 118054A01 | 1 | 1 | 1 | 1 |
| C | MECHANICAL BIN SWITCH | | 369003A01 | 1 | - | - | - |
| | | | 371148A01 | - | 1 | 1 | 1 |
| D | WATER CIRCUIT ASSY | | 252116A01 | 1 | 1 | 1 | 1 |
| E | REFRIGERATION CIRCUIT | | 118057A01 | 1 | 1 | 1 | 1 |
| F | CONTROL BOX ASSY | | 252005A04 | 1 | 1 | 1 | 1 |
| G | LABEL LOCATION | | 369006001 | 1 | 1 | 1 | 1 |
| K | ACCESSORIES | | | 1 | 1 | 1 | 1 |
| L | OPTIONAL PARTS | | | 1 | 1 | 1 | 1 |
| | | | | | | | |
| 1 | BODY ASSY | | 118051G01 | 1 | 1 | - | - |
| | | | 119354G01 | - | - | 1 | - |
| | | | 120503G01 | - | - | - | 1 |
| 2 | FRONT FRAME | | 250744-01 | 1 | 1 | 1 | 1 |
| 3 | RAIL (L) | | 117628-01 | 1 | 1 | - | - |
| | | | 119369P01 | - | - | 1 | 1 |
| 4 | RAIL (R) | | 117629-01 | 1 | 1 | - | - |
| | | | 119370P01 | - | - | 1 | 1 |
| 5 | AIR GUARD | | 470302-01 | 1 | 1 | 1 | 1 |
| 6 | GROMMET-PIPE (C) | SANTOPRENE | 470311-01 | 1 | 1 | 1 | 1 |
| 7 | GROMMET-PIPE (B) | SANTOPRENE | 470310-01 | 1 | 1 | 1 | 1 |
| 8 | GROMMET-PIPE (A) | SANTOPRENE | 471029R01 | 1 | 1 | 1 | 1 |
| 9 | FRONT PANEL | | 369029G01 | 1 | 1 | 1 | 1 |
| 10 | COLLAR | | 471009P01 | 4 | 4 | 4 | 4 |
| 11 | LOUVER | | 117636-01 | 1 | 1 | 1 | 1 |
| 12 | AIR FILTER | | 250728G01 | 1 | 1 | 1 | 1 |
| 13 | COVER - PIPE | | 369096M01 | 1 | 1 | 1 | 1 |
| 14 | REAR COVER | | 368311-01 | 1 | 1 | 1 | 1 |
| 15 | REAR PANEL | | 368316-02 | 1 | 1 | 1 | 1 |

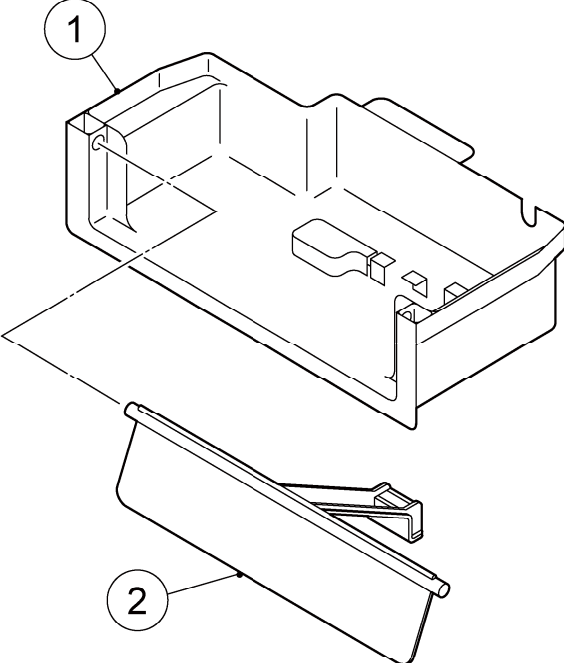
HE, HE/UK

| MODEL: KM-35A | | TITLE: A. ICE CUBER ASSY | | | | | |
|----------------------|----------------------------------|---------------------------------|-------------|--------------|---------|---------|-----|
| INDEX NO. | DESCRIPTION | MATERIAL OR MODEL NUMBER | PART NUMBER | REQ'D NUMBER | | | |
| | | | | S-1,T-0 | T-1,U-0 | U-1,V-0 | V-1 |
| 16 | POWER SUPPLY CORD | HE | P00048-01 | 1 | 1 | 1 | - |
| | | HE/UK | P00182-01 | 1 | 1 | 1 | - |
| 17 | BUSHING | CEE-SR-6 P-10 | 448949-01 | 1 | 1 | 1 | - |
| 18 | SEAL - FILM | | 472471P01 | 1 | 1 | 1 | 1 |
| 19 | BUSHING | | 428394-04 | 1 | 1 | 1 | 1 |
| 20 | CLAMP | | 427902-02 | 4 | 4 | 4 | 5 |
| 21 | DOOR | | 369051G02 | 1 | 1 | 1 | 1 |
| 22 | TWIST HOLDER | | P00424-01 | 1 | 1 | 1 | 1 |
| 23 | TOP PANEL ASSY | | 369005A02 | 1 | 1 | 1 | 1 |
| 24 | CONNECTOR | | P02656-01 | - | - | - | 1 |
| 25 | CLAMP | | 418814-06 | - | - | - | 1 |
| 26 | T2 SCREW | 4x8 | FT20408F0 | - | - | - | 1 |
| 27 | HEX. TAPPING SCREW W - FLANGE | | P01572-01 | 4 | 4 | 4 | 4 |



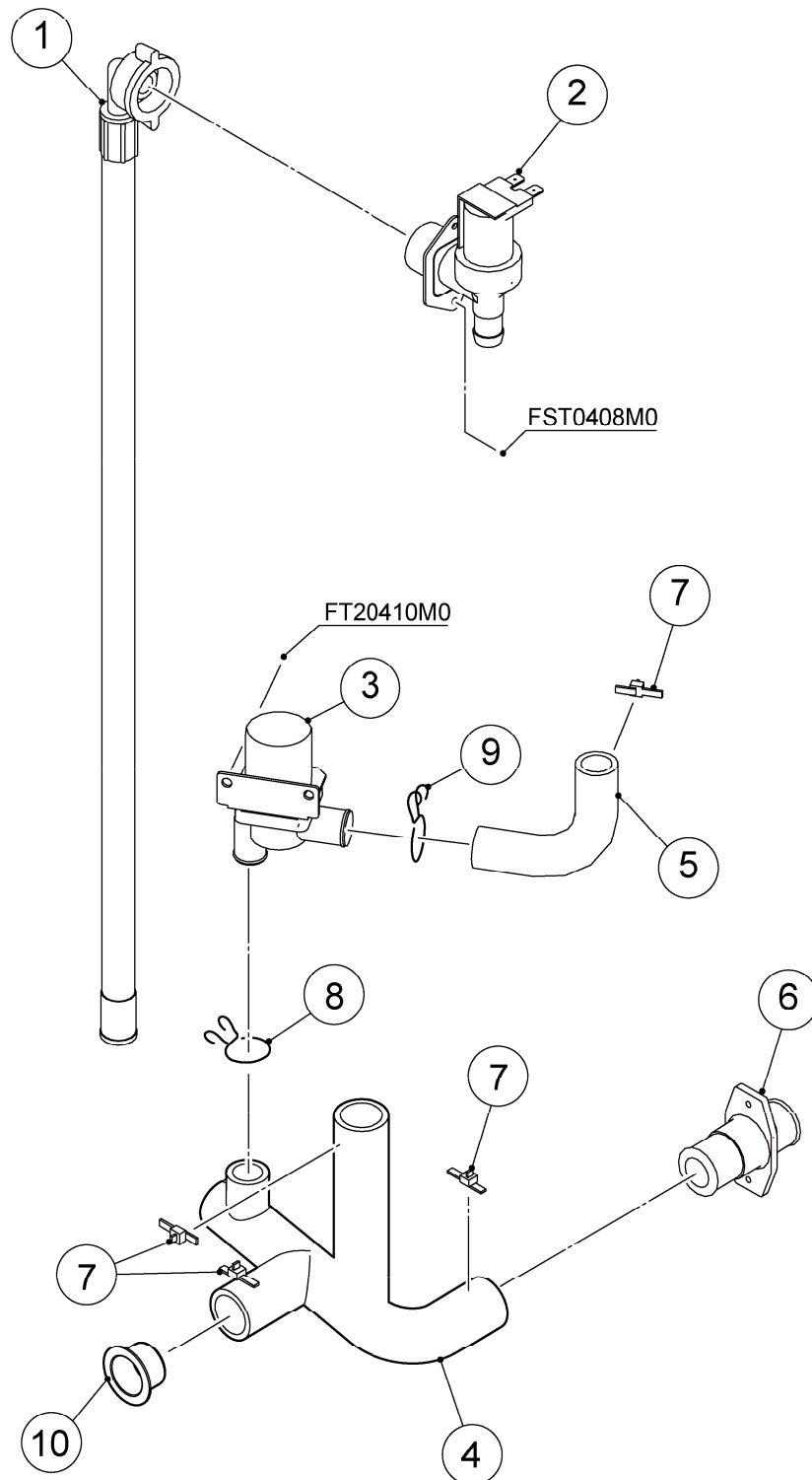
HE, HE/UK

| MODEL: KM-35A | | | | TITLE: B. ICE MAKING MECHANISM ASSY | | | |
|----------------------|----------------------------|----------------------------------|-------------|--|---------|---------|-----|
| INDEX NO. | DESCRIPTION | MATERIAL OR MODEL NUMBER | PART NUMBER | REQ'D NUMBER | | | |
| | | | | S-1,T-0 | T-1,U-0 | U-1,V-0 | V-1 |
| 1 | WATER TANK | | 117637-01 | 1 | 1 | 1 | 1 |
| 2 | FLOAT SWITCH | | 4A3624-04 | 1 | 1 | 1 | 1 |
| 3 | PUMP MOTOR | PV-0512BH22 | P00017-01 | 1 | 1 | 1 | 1 |
| 4 | ELBOW | | 417703-01 | 1 | 1 | 1 | 1 |
| 5 | CUBE GUIDE (A) | | 250742-01 | 2 | 2 | 2 | 2 |
| 6 | BRACKET - ICE MAKING | | 117630-01 | 1 | 1 | 1 | 1 |
| 7 | INSULATION - MECHANISM (A) | Only available as No.23. | 368342-01 | - | - | - | - |
| 8 | INSULATION - MECHANISM (B) | Only available as No.23. | 368343-01 | - | - | - | - |
| 9 | WATER SUPPLY PIPE | | 369100R01 | 1 | 1 | 1 | - |
| | WATER SUPPLY HOSE | | 374290R01 | | | | 1 |
| 10 | WATER SUPPLY TUBE | | 250743-02 | 1 | 1 | 1 | 1 |
| 11 | SPRAY GUIDE | | 252052P02 | 1 | 1 | 1 | - |
| | | | 258313P02 | | | | 1 |
| 12 | SPRAY TUBE | | 250746-02 | 1 | 1 | 1 | 1 |
| 13 | SPRAY TUBE CAP | | 370777R01 | 1 | 1 | 1 | 1 |
| 14 | HOSE CLAMP | | P02909-04 | 2 | 2 | 2 | 2 |
| 15 | INSULATION - MECHANISM (C) | Only available as No.23. | 3Y2516Z01 | - | - | - | - |
| 16 | INSULATION - MECHANISM (D) | Only available as No.23. | 3Y2517Z01 | - | - | - | - |
| 17 | SILICONE HOSE | L=370 14 DIA x 18 DIA (CLEAR) | H11418370 | 1 | 1 | 1 | - |
| | | L=350 14 DIA x 18 DIA (CLEAR) | H11418350 | | | | 1 |
| 18 | SILICONE HOSE | L=30 14 DIA x 18 DIA (CLEAR) | H11418030 | 2 | 2 | 2 | 2 |
| 19 | CABLE TIE | CV-100 | 7920-0002 | 3 | 3 | 3 | 3 |
| 20 | HOSE CLAMP | | P02909-07 | 1 | 1 | 1 | 1 |
| 21 | PIPE/OVERFLOW | | 369038P01 | 1 | 1 | 1 | 1 |
| 22 | SILICONE HOSE | L=150 14 DIA x 18 DIA (CLEAR) | H11418150 | 1 | 1 | 1 | 1 |
| 23 | INSULATION - MECHANISM | | 256825P01 | | | 1 | 1 |



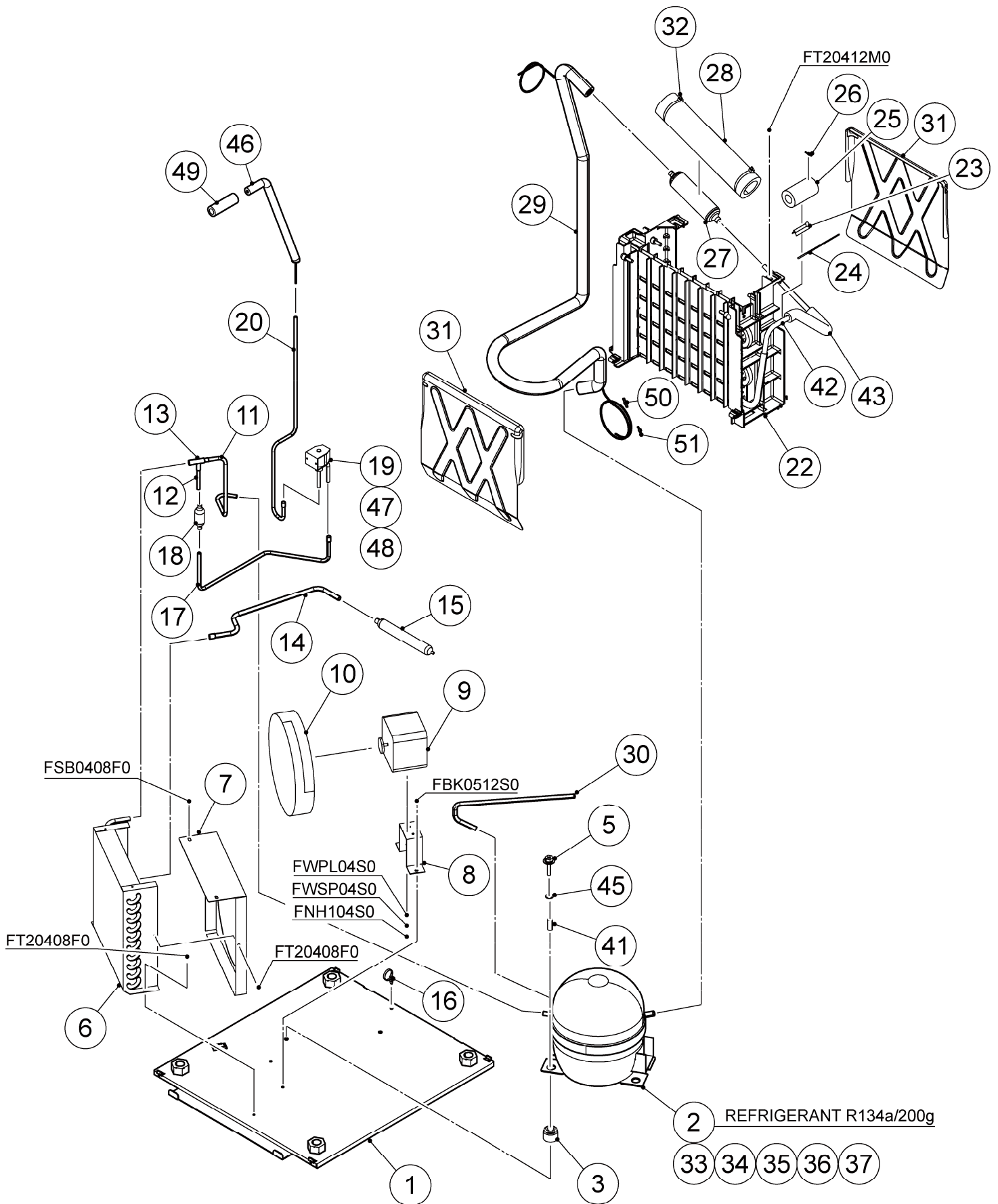
HE, HE/UK

| MODEL: KM-35A | | TITLE: C. MECHANICAL BIN SWITCH | | | | | |
|----------------------|------------------------|--|-------------|--------------|---------|---------|-----|
| INDEX NO. | DESCRIPTION | MATERIAL OR MODEL NUMBER | PART NUMBER | REQ'D NUMBER | | | |
| | | | | S-1,T-0 | T-1,U-0 | U-1,V-0 | V-1 |
| 1 | MECHANICAL SWITCH CASE | | 369011G01 | 1 | - | | |
| | | | 371149G01 | | 1 | 1 | 1 |
| 2 | DETECTOR | | 369012G01 | 1 | - | | |
| | | | 371150G01 | | 1 | 1 | 1 |



HE, HE/UK

| MODEL: KM-35A | | | | TITLE: D. WATER CIRCUIT ASSY | | | |
|----------------------|----------------|--------------------------|-------------|-------------------------------------|---------|---------|-----|
| INDEX NO. | DESCRIPTION | MATERIAL OR MODEL NUMBER | PART NUMBER | REQ'D NUMBER | | | |
| | | | | S-1,T-0 | T-1,U-0 | U-1,V-0 | V-1 |
| 1 | INLET HOSE | | P00554-01 | 1 | 1 | 1 | 1 |
| 2 | WATER VALVE | 1260066 0.8L/min | P00011-01 | 1 | 1 | 1 | 1 |
| 3 | SOLENOID VALVE | FDC90-02 | P00018-01 | 1 | 1 | 1 | 1 |
| 4 | DRAIN HOSE | SANTOPRENE | 370704R01 | 1 | 1 | 1 | 1 |
| 5 | HOSE - VALVE | SANTOPRENE | 470304-01 | 1 | 1 | 1 | 1 |
| 6 | DRAIN PIPE | | 369099P01 | 1 | 1 | 1 | 1 |
| 7 | CABLE TIE | CV-150 | 7920-0003 | 4 | 4 | 4 | 4 |
| 8 | HOSE CLAMP | | P02909-05 | 1 | 1 | 1 | 1 |
| 9 | HOSE CLAMP | | P02909-06 | 1 | 1 | 1 | 1 |
| 10 | CAP | | 472250P01 | 1 | 1 | 1 | 1 |

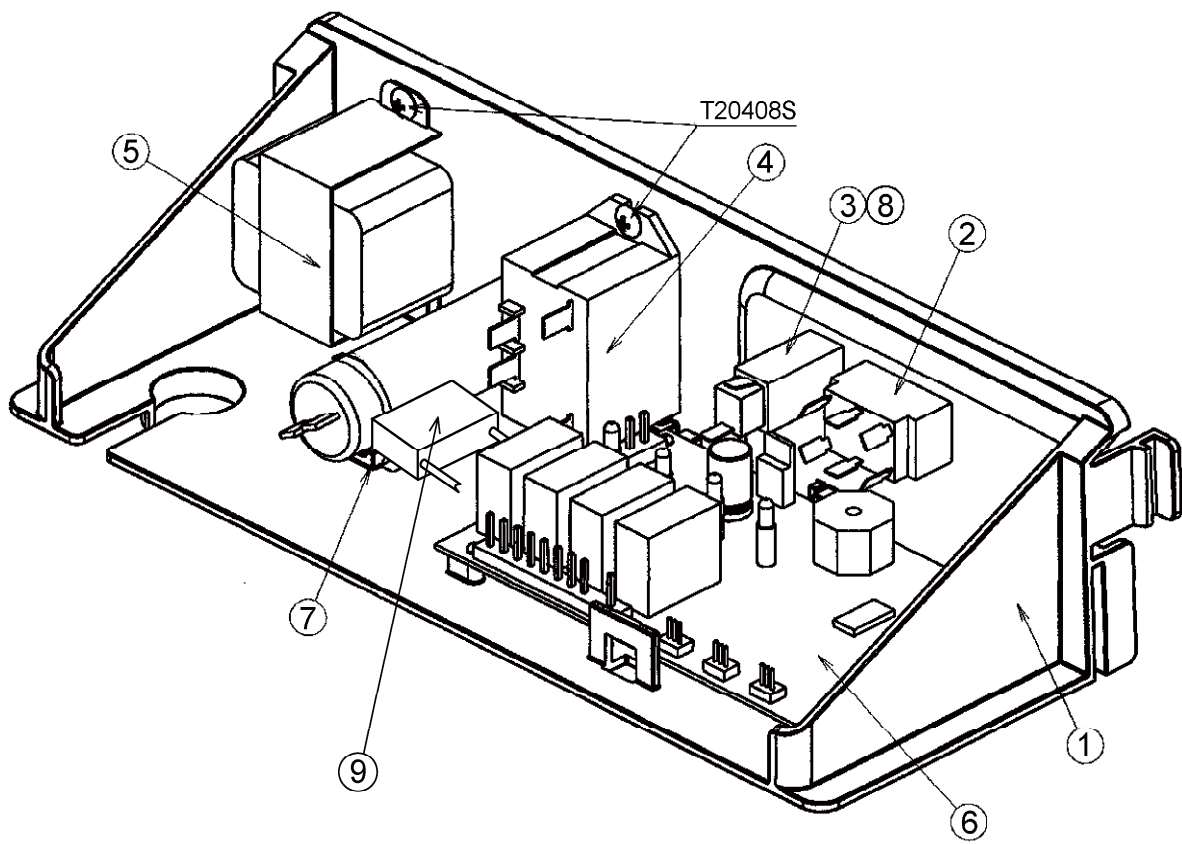


HE, HE/UK

| MODEL: KM-35A | | | | TITLE: E. REFRIGERATION CIRCUIT | | | |
|----------------------|-----------------------------|----------------------------------|-------------|--|---------|---------|-----|
| INDEX NO. | DESCRIPTION | MATERIAL OR MODEL NUMBER | PART NUMBER | REQ'D NUMBER | | | |
| | | | | S-1,T-0 | T-1,U-0 | U-1,V-0 | V-1 |
| 1 | BASE | | 370329G01 | 1 | 1 | 1 | 1 |
| 2 | COMPRESSOR | QA51K13GAW5-HOLS | P00050-01 | 1 | 1 | 1 | 1 |
| 3 | RUBBER GROMMET | 01-228511 | 459218-01 | 4 | 4 | 4 | 4 |
| 5 | HEX HEAD BOLT W/WASHER (SW) | 6x30 | FBK0630S0 | 2 | 2 | 2 | 2 |
| 6 | CONDENSER - AIR COOLED | | P00272-01 | 1 | 1 | 1 | 1 |
| 7 | SHROUD | | 368317-01 | 1 | 1 | 1 | 1 |
| 8 | BRACKET - FM | | 470291-01 | 1 | 1 | 1 | 1 |
| 9 | FAN MOTOR | M4Q045-BD01-01 | P00005-01 | 1 | 1 | 1 | 1 |
| 10 | FAN BLADE | 200 DIA (22°) | P00006-01 | 1 | 1 | 1 | 1 |
| 11 | COPPER TUBE(A) - HI | COPPER TUBE - HI(A) 370324G01 | 370327M01 | 1 | 1 | 1 | 1 |
| 12 | COPPER TUBE - H-2 | COPPER TUBE - HI(A) 370324G01 | 470300-01 | 1 | 1 | 1 | 1 |
| 13 | TEE | COPPER TUBE - HI(A) 370324G01 | 420041-03 | 1 | 1 | 1 | 1 |
| 14 | COPPER TUBE(D) - HIGH SIDE | | 471940M01 | 1 | 1 | 1 | 1 |
| 15 | DRIER | | P00007-01 | 1 | 1 | 1 | 1 |
| 16 | PUSH MOUNT TIE | T30RSF | 436156-01 | 1 | 1 | 1 | 1 |
| 17 | COPPER TUBE - H-3 | | 471941M01 | 1 | 1 | 1 | 1 |
| 18 | STRAINER | | P00008-01 | 1 | 1 | 1 | 1 |
| 19 | VALVE BODY | AMS - B24BH DU - 1 | 4A3275-01 | 1 | 1 | 1 | 1 |
| 20 | COPPER TUBE(A) - HOT GAS | COPPER TUBE - HOT GAS | 370325M01 | 1 | 1 | 1 | 1 |
| 22 | EVAPORATOR ASSY | | 252007G01 | 1 | 1 | 1 | - |
| | | | 258587G01 | | | | 1 |
| 23 | THERMISTOR HOLDER | | 436455-01 | 1 | 1 | 1 | 1 |
| 24 | THERMISTOR | NBFC-36-H60-1 | P00027-01 | 1 | 1 | 1 | 1 |

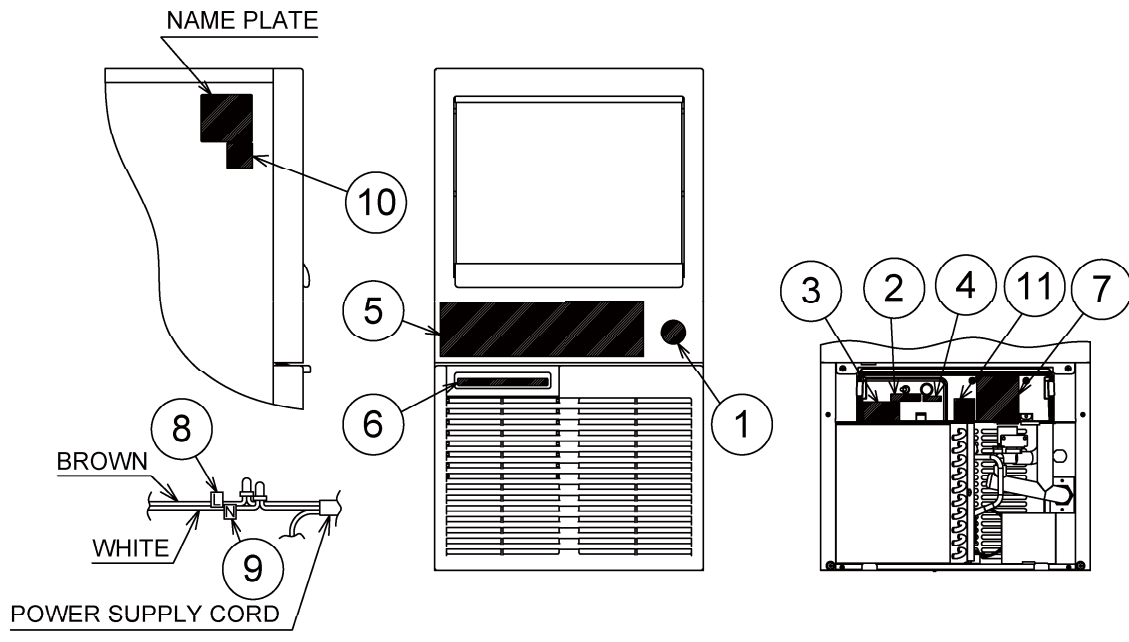
HE, HE/UK

| MODEL: KM-35A | | | | TITLE: E. REFRIGERATION CIRCUIT | | | |
|----------------------|---------------------------|--|-------------|--|---------|---------|-----|
| INDEX NO. | DESCRIPTION | MATERIAL OR MODEL NUMBER | PART NUMBER | REQ'D NUMBER | | | |
| | | | | S-1,T-0 | T-1,U-0 | U-1,V-0 | V-1 |
| 25 | INSULATION - THERMISTOR | | 471010Z01 | 1 | 1 | 1 | 1 |
| 26 | CABLE TIE | CV-100 | 7920-0002 | 3 | 3 | 3 | 3 |
| 27 | ACCUMULATOR | | P00010-01 | 1 | 1 | 1 | 1 |
| 28 | ACCUMULATOR COVER | | 369039Z01 | 1 | 1 | 1 | 1 |
| 29 | HEAT EXCHANGER | | 370326G01 | 1 | 1 | 1 | - |
| | | | 259014G01 | | | | 1 |
| 30 | COPPER TUBE - PROCESS(A) | | 471008M01 | 1 | 1 | 1 | 1 |
| 31 | SEPARATOR | | 250749-02 | 2 | 2 | 2 | 2 |
| 32 | CABLE TIE | CV-200 | 7920-0010 | 3 | 3 | 3 | 3 |
| 33 | PTC RELAY | MM8-5CDT33M | 459219-01 | 1 | 1 | 1 | 1 |
| 34 | MOTOR PROTECTOR | MM3-22ECF | 459220-01 | 1 | 1 | 1 | 1 |
| 35 | PROTECTOR COVER | 01-899613 | P00356-01 | 1 | 1 | 1 | 1 |
| 36 | CLAMP | 01-245233 | 459222-01 | 1 | 1 | 1 | 1 |
| 37 | CLIP | 01-246801 | 438847-01 | 1 | 1 | 1 | 1 |
| 41 | GROMMET SLEEVE | 01-220430 | 459229-01 | 2 | 2 | 2 | 2 |
| 42 | COPPER TUBE - ACCUMULATOR | COPPER TUBE - ACCUMULATOR 471166G01 | 471166M01 | 1 | 1 | 1 | - |
| 43 | INSULATION TUBE | COPPER TUBE - ACCUMULATOR 471166G01 L=260 | 7762-1030 | 1 | 1 | 1 | - |
| 45 | WASHER | | 4Y4450M01 | 2 | 2 | 2 | 2 |
| 46 | COPPER TUBE (B) - HOT GAS | | 4Y4336G01 | 1 | 1 | 1 | 1 |
| 47 | COIL - VALVE | | P00810-01 | 1 | 1 | 1 | 1 |
| 48 | BOLT | | P00811-01 | 1 | 1 | 1 | 1 |
| 49 | INSULATION TUBE | 7762-1323 L=70 | H71323070 | 1 | 1 | 1 | 1 |
| 50 | CABLE TIE | CV-150 | 7920-0003 | 1 | 1 | 1 | 1 |
| 51 | CABLE TIE | CV-70 | 7920-0001 | 1 | 1 | 1 | 1 |



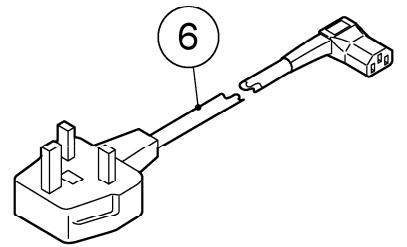
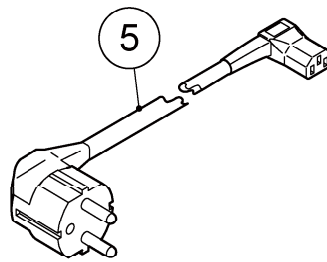
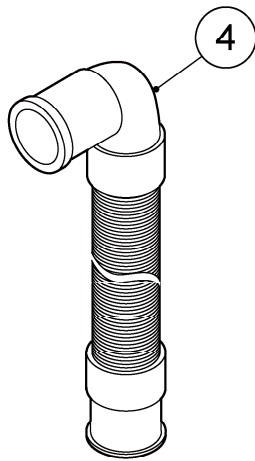
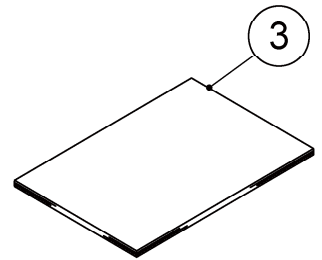
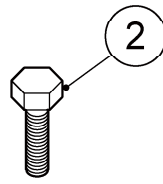
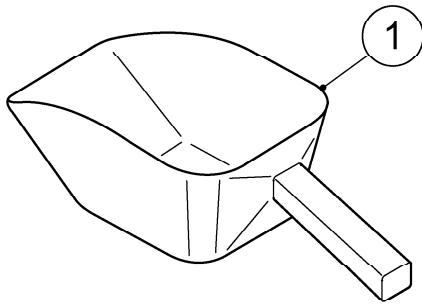
HE, HE/UK

| MODEL: KM-35A | | TITLE: F. CONTROL BOX ASSY | | | | | |
|----------------------|------------------|-----------------------------------|-------------|--------------|---------|---------|-----|
| INDEX NO. | DESCRIPTION | MATERIAL OR MODEL NUMBER | PART NUMBER | REQ'D NUMBER | | | |
| | | | | S-1,T-0 | T-1,U-0 | U-1,V-0 | V-1 |
| 1 | CONTROL BOX | | 117624-01 | 1 | 1 | 1 | 1 |
| 2 | TOGGLE SWITCH | KND-203 | P00033-01 | 1 | 1 | 1 | 1 |
| 3 | FUSE HOLDER | BF115 | P00014-01 | 1 | 1 | 1 | 1 |
| 4 | POWER RELAY | G7L-1A-TUB | P00034-01 | 1 | 1 | 1 | 1 |
| 5 | TRANSFORMER | DB48-26 | P00012-01 | 1 | 1 | 1 | 1 |
| 6 | CONTROLLER BOARD | HKM2006V003 | P01771-02 | 1 | 1 | 1 | 1 |
| 7 | CABLE TIE | CV-200 | 7920-0010 | 1 | 1 | 1 | 1 |
| 8 | FUSE | 125/250V 5A | P00015-01 | 1 | 1 | 1 | 1 |
| 9 | CAPACITOR | REB474 | P00228-01 | 1 | 1 | 1 | 1 |



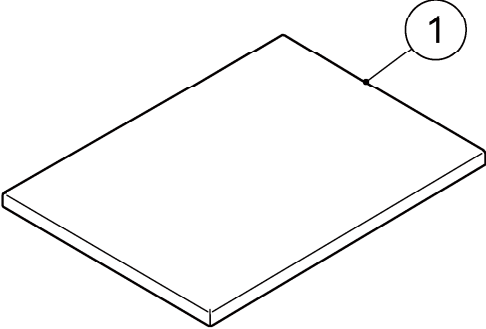
HE, HE/UK

| MODEL: KM-35A | | TITLE: G. LABEL LOCATION | | | | | |
|----------------------|-------------------------|---------------------------------|-------------|--------------|---------|---------|-----|
| INDEX NO. | DESCRIPTION | MATERIAL OR MODEL NUMBER | PART NUMBER | REQ'D NUMBER | | | |
| | | | | S-1,T-0 | T-1,U-0 | U-1,V-0 | V-1 |
| 1 | LOGO LABEL - PENGUIN | | 471486L01 | 1 | 1 | 1 | 1 |
| 2 | CONTROL LABEL - FUSE | | 476009L01 | 1 | 1 | 1 | 1 |
| 3 | CAUTION LABEL | | 464507-01 | 1 | 1 | 1 | 1 |
| 4 | - | | - | - | | | |
| 5 | MAINTENANCE LABEL | | 369056L01 | 1 | 1 | 1 | 1 |
| 6 | LABEL - AIR FILTER | | 426177-01 | 1 | 1 | 1 | 1 |
| 7 | CAUTION LABEL - SERVICE | | 471180L01 | 1 | 1 | 1 | 1 |
| 8 | LABEL - TERMINAL | | 452379-01 | 1 | 1 | 1 | 1 |
| 9 | LABEL - TERMINAL | | 452379-02 | 1 | 1 | 1 | 1 |
| 10 | LABEL - HACCP | | 476519L01 | 1 | 1 | 1 | 1 |
| 11 | CAUTION LABEL | | 473789L01 | | | | 1 |



HE, HE/UK

| MODEL: KM-35A | | TITLE: K. ACCESSORIES | | | | | |
|----------------------|--------------------|------------------------------|-------------|--------------|---------|---------|-----|
| INDEX NO. | DESCRIPTION | MATERIAL OR MODEL NUMBER | PART NUMBER | REQ'D NUMBER | | | |
| | | | | S-1,T-0 | T-1,U-0 | U-1,V-0 | V-1 |
| 1 | SCOOP | | 1H4123P02 | 1 | 1 | 1 | 1 |
| 2 | BOLT | M20x35 | FBH2035F0 | 4 | 4 | 4 | 4 |
| 3 | INSTRUCTION MANUAL | | L115FD205 | 1 | 1 | 1 | 1 |
| 4 | OUTLET HOSE | | P00055-01 | 1 | 1 | 1 | 1 |
| 5 | POWER SUPPLY CORD | | P02794-01 | | | | 1 |
| 6 | POWER SUPPLY CORD | | P02795-01 | | | | 1 |



HE, HE/UK

| MODEL: KM-35A | | TITLE: L. OPTIONAL PARTS | | | | | |
|----------------------|-------------------|---------------------------------|-------------|--------------|---------|---------|-----|
| INDEX NO. | DESCRIPTION | MATERIAL OR MODEL NUMBER | PART NUMBER | REQ'D NUMBER | | | |
| | | | | S-1,T-0 | T-1,U-0 | U-1,V-0 | V-1 |
| 1 | COVER - TOP PANEL | | 266603M02 | 1 | 1 | 1 | 1 |