

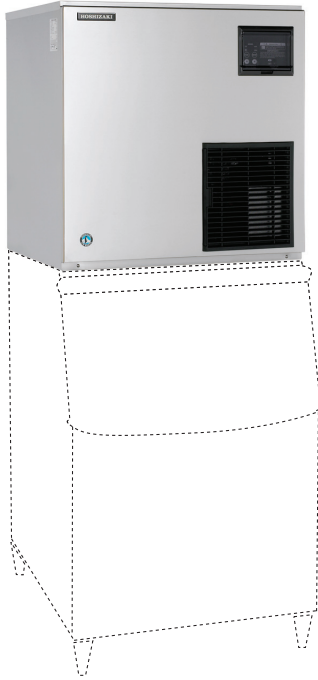


# HOSHIZAKI

## FM-1000AKE FLAKE ICE MAKER / FM-1000AKE-N NUGGET ICE MAKER

### Product Description

The FM-1000AKE (-N) is a modular ice maker which produces either flake or nugget ice. The flake and nugget ice is popular for a variety of cooling purposes including the display of fish and fresh produce as well as in the medical world for cooling blood and organs.



- Hoshizaki ice makers are micro computer controlled, controlling the ice making process to perform at its best under varying circumstances, without having to make physical adjustments.
- The characteristics of the ice produced by Hoshizaki ice makers means that 'freeze-burn' is no longer an issue when displaying fresh fish or produce.
- Quality stainless steel auger and evaporator increase the life expectancy of these components and the whole ice maker, as well as reducing costly maintenance visits.
- An easily cleanable air filter allows end users to carry out a routine cleaning schedule, extending product life expectancy and reducing the frequency and costs of maintenance call-outs.
- Due to the auger system the water consumption is equal to the ice production.

### Available Models

FM-1000AKE (Air Cooled)
FM-1000AKE-N (Air Cooled)

### Ice

Model	Shape
FM-1000AKE	Flake - Approx. (70% ice hardness, 30% water)
FM-1000AKE-N	Nugget - Approx. (88% ice hardness, 12% water)



### Bins

Model	Type of Bin	Max. Bin Capacity
B-501SA	Modular	217 kg
B-801SA, Top Kit TK 18 D		348 kg

### Production

Model	Ice Production per 24h	Temperature	Water Consumption per 24h
FM-1000AKE	Approx. 1030 kg	AT.10 °C, WT.10 °C	Approx. 1,04m <sup>3</sup>
	Approx. 890 kg	AT.21 °C, WT.15 °C	Approx. 0,90m <sup>3</sup>
	Approx. 740 kg	AT.32 °C, WT.21 °C	Approx. 0,75m <sup>3</sup>
FM-1000AKE-N	Approx. 860 kg	AT.10 °C, WT.10 °C	Approx. 0,87m <sup>3</sup>
	Approx. 730 kg	AT.21 °C, WT.15 °C	Approx. 0,74m <sup>3</sup>
	Approx. 590 kg	AT.32 °C, WT.21 °C	Approx. 0,60m <sup>3</sup>

### Two year warranty

For more information visit our website at [www.hoshizaki-europe.com](http://www.hoshizaki-europe.com)  
Hoshizaki Europe B.V. retains the right to change products and their specifications without prior notice.

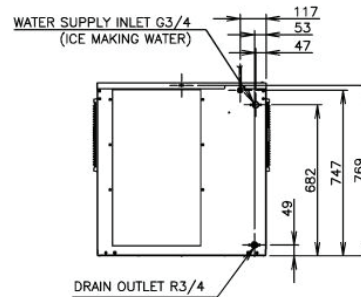
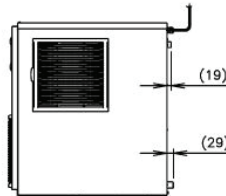
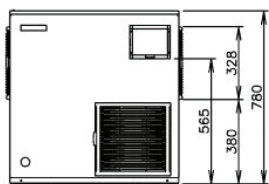
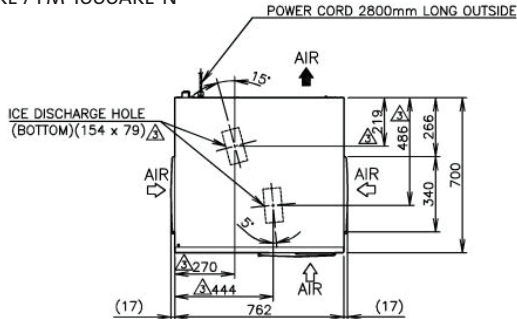




# HOSHIZAKI

## FM-1000AKE FLAKE ICE MAKER / FM-1000AKE-N NUGGET ICE MAKER

FM-1000AKE / FM-1000AKE-N



Specification	FM-1000AKE	FM-1000AKE-N
<b>Power Supply</b>	1 Phase 220-240V 50Hz Capacity: 3.9kVA (16.3A)	1 Phase 220-240V 50Hz Capacity: 3.9kVA (16.3A)
<b>Amperage</b> (AT:32°C, WT:21°C)	12.3A Starting: 76A	12.5A Starting: 76A
<b>Electric Consumption</b>	2490W (Power Factor: 86%)	2550W (Power Factor: 88%)
<b>Exterior</b>	Stainless Steel, Galvanized Steel (Rear)	Stainless Steel, Galvanized Steel (Rear)
<b>Insulation Foam / Blowing Agent</b>	HFC-245fa, 365mfc	HFC-245fa, 365mfc
<b>Connections - Water Supply</b>	Direct Connection to Water Main, Inlet: 3/4" (Rear)	Direct Connection to Water Main, Inlet: 3/4" (Rear)
<b>Connections - Drain</b>	Outlet: 3/4" (Rear)	Outlet: 3/4" (Rear)
<b>Ice Making System</b>	Thin ice forming inside Cylinder (Flake Ice)	Thin ice forming inside Cylinder (Nugget Ice)
<b>Compressor</b>	Hermetic	Hermetic
<b>Condenser</b>	Fin and Tube type, Air-cooled	Fin and Tube type, Air-cooled
<b>Heat Rejection</b> (AT:32°C, WT:21°C)	4470W	4470W
<b>Evaporator</b>	Tube coiled around Cylinder (Solder Plated)	Tube coiled around Cylinder (Solder Plated)
<b>Refrigerant</b>	R404A 1350 g	R404A 1350 g
<b>Ice Making Water Control</b>	Float Switch and Solenoid Valve	Float Switch and Solenoid Valve
<b>Electrical Circuit Protection</b>	Circuit Breaker, Earth Wire	Circuit Breaker, Earth Wire
<b>Refrigerant Circuit Protector</b>	Compressor Internal Thermostat (Auto-reset), Pressure Switch (Auto-reset)	Compressor Internal Thermostat (Auto-reset), Pressure Switch (Auto-reset)
<b>Mechanism Protection</b>	Micro switch (Manual-reset)	Micro switch (Manual-reset)
<b>Interlock</b>	Shutdown by Microprocessor (Manual-reset)	Shutdown by Microprocessor (Manual-reset)
<b>Dimensions Product excl. Packaging</b>	762 x 700 x 780 (W x D x H, mm)	762 x 700 x 780 (W x D x H, mm)
<b>Dimensions Product Incl. Packaging</b>	873 x 820 x 947 (W x D x H, mm)	873 x 820 x 947 (W x D x H, mm)
<b>Weight Gross / Net</b>	156 kg / 146 kg	156 kg / 146 kg

Operation Conditions	
<b>Ambient Temperature</b>	5 - 40°C
<b>Water Supply Temperature</b>	5 - 35°C
<b>Water Supply Pressure</b>	0,05-0,8MPa
<b>Voltage Range</b>	Rated Voltage ± 10%

Accessories
Mounting Bracket
Installation Kit

For more information please contact your local sales office:

Hoshizaki Belgium: info@hoshizaki.be  
 Hoshizaki Deutschland: info@hoshizaki.de  
 Hoshizaki France: info@hoshizaki.fr  
 Hoshizaki Iberia: info@hoshizaki.es  
 Hoshizaki Middle East: sales@hoshizaki.ae

Hoshizaki Nederland: sales@hoshizaki.nl  
 Hoshizaki United Kingdom: uksales@hoshizaki.co.uk  
 Other countries: sales@hoshizaki.nl

[www.hoshizaki-europe.com](http://www.hoshizaki-europe.com)